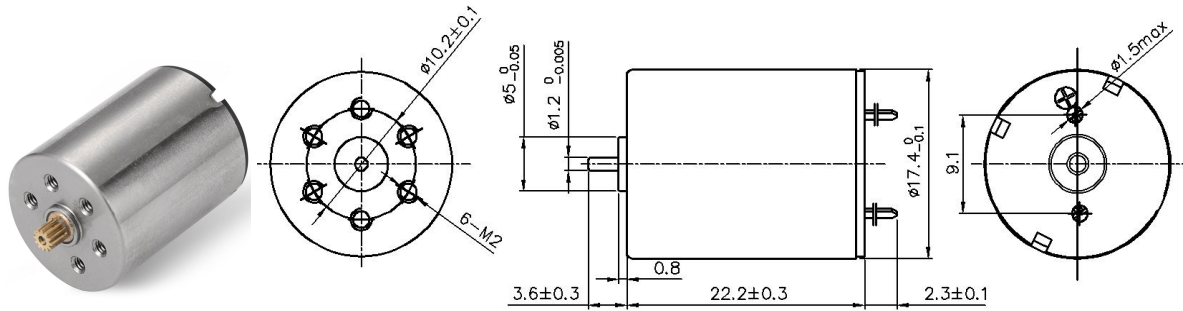




# Coreless Brush DC Motor

LS-1722R



Typical Applications: RC servo. Door lock. Tools. Tattoo machine. Window opener

电机参数 (Motor data)		14A	20A	56A	60A
额定电压下数值 (Values at nominal voltage)					
1 额定电压 (Nominal voltage)	V	7.4	7.4	7.4	12
2 空载转速 (No load speed)	rpm	18000	20060	25650	25620
3 空载电流 (No load current)	mA	60	60	100	60
4 额定转速 (Nominal speed)	rpm	16200	18150	23830	23820
5 额定转矩 (最大连续转矩) (Nominal torque)	mNm	3	2.9	2.85	2.95
6 额定电流 (最大连续电流) (Nominal current)	A	0.84	0.89	1.1	0.72
7 堵转转矩 (Stall torque)	mNm	30.77	30.5	40.5	42
8 堵转电流 (Stall current)	A	7.87	8.7	14.8	9.45
9 最大效率 (Max efficiency)	%	84	83	85	85
电机常数 (Motor constant)					
10 相间电阻 (Terminal resistance)	Ω	0.94	0.85	0.5	1.27
11 转矩常数 (Torque constant)	mNm/A	3.85	3.45	2.70	4.38
12 速度常数 (Speed constant)	rpm/V	2432	2711	3466	2135

## 其他特性参数 Other characteristic parameters

- 13 环境温度范围 (Ambient temperature) -10~40℃
- 14 绕组最高允许温度 (Max permissible winding temperature) 80℃
- 15 最高允许转速 (Max permissible speed) 30000rpm
- 16 电极磁极对数 (Number of the pole pairs) 1
- 17 换向器片数 (Number of the commutator segments) 5
- 18 电机质量 (Weight) 26.2g

## 14A电机曲线图 motor curve

