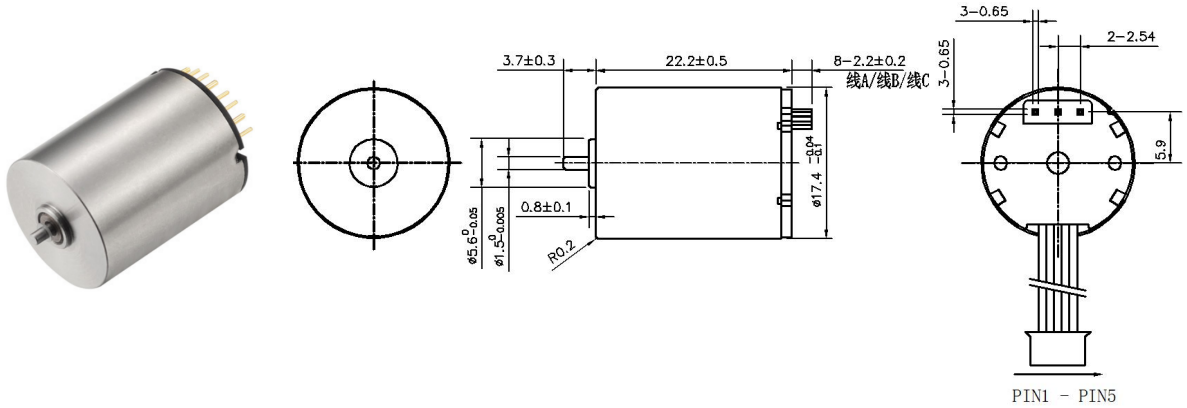




# Coreless Brushless DC Motor

LS-1722RB



Typical Applications: Robot. RC servo. Aircraft model

电机参数 (Motor data)		27A	07A	09A	06A		
额定电压下数值 (Values at nominal voltage)							
1 额定电压 (Nominal voltage)	V	5	7.4	12	24		
2 空载转速 (No load speed)	rpm	25240	25100	24230	22000		
3 空载电流 (No load current)	mA	130	200	130	130		
4 额定转速 (Nominal speed)	rpm	24200	22630	21580	19690		
5 额定转矩(最大连续转矩) (Nominal torque)	mNm	1.1	2	3	3		
6 额定电流(最大连续电流) (Nominal current)	A	0.88	0.92	0.8	0.42		
7 堵转转矩 (Stall torque)	mNm	26.40	20.3	27.3	28.6		
8 堵转电流 (Stall current)	A	14.30	7.4	5.9	2.85		
9 最大效率 (Max efficiency)	%	75	73	73	67		
电机常数 (Motor constant)							
10 相间电阻 (Terminal resistance)	Ω	0.35	1	2.03	8.4		
11 转矩常数 (Torque constant)	mNm/A	1.85	2.76	4.64	10.21		
12 速度常数 (Speed constant)	rpm/V	5048	3392	2019	917		

## 其他特性参数 Other characteristic parameters

- 13 环境温度范围 (Ambient temperature) -10~40°C
- 14 绕组最高允许温度 (Max permissible winding temperature) 120°C
- 15 最高允许转速 (Max permissible speed) 30000rpm
- 16 电极磁极对数 (Number of the pole pairs) 1
- 17 相数 (Number of Phases) 3
- 18 电机质量 (Weight) 26.3g

端子定义 (terminals):  
 引线规格 (cable type): 2651/28#  
 PIN1 VCC  
 PIN2 GND  
 PIN3 Hall A  
 PIN4 Hall B  
 PIN5 Hall C

## 09A电机曲线图 motor curve

