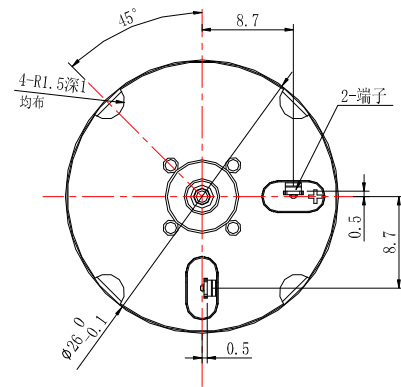
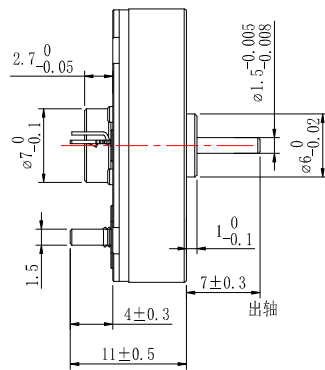




Coreless Brush Motor

LS-2607R

Ball Bearing



Typical Applications: Tattoo machine

电机参数 (Motor data)		01A	04A	03A	05A		
额定电压下数值 (Values at nominal voltage)							
1 额定电压 (Nominal voltage)	V	12	9	6	5		
2 空载转速 (No load speed)	rpm	10000	10400	6600	11500		
3 空载电流 (No load current)	mA	15	20	10	45		
4 额定转速 (Nominal speed)	rpm	8600	8112	5940	10120		
5 额定转矩(最大连续转矩) (Nominal torque)	mNm	1.54	2.25	0.71	1.25		
6 额定电流(最大连续电流) (Nominal current)	A	0.15	0.29	0.08	0.33		
7 堵转转矩 (Stall torque)	mNm	10.80	10.24	7	10.3		
8 堵转电流 (Stall current)	A	0.96	1.24	0.82	2.53		
9 最大效率 (Max efficiency)	%	78	78.8	81	77		
电机常数 (Motor constant)							
10 相间电阻 (Terminal resistance)	Ω	12.53	7.26	7.3	1.98		
11 转矩常数 (Torque constant)	mNm/A	11.23	8.26	8.67	4.15		
12 速度常数 (Speed constant)	rpm/V	833	1155.5	1100	2300		

其他特性参数 Other characteristic parameters

13 环境温度范围 (Ambient temperature)	-10~40°C
14 绕组最高允许温度 (Max permissible winding temperature)	120°C
15 最高允许转速 (Max permissible speed)	20000rpm
16 电极磁极对数 (Number of the pole pairs)	2
17 换向器片数 (Number of the commutator segments)	6
18 电机质量 (Weight)	20.6g
19 轴承 (Ball Bearing)	滚珠轴承

01A电机曲线图 motor curve

