

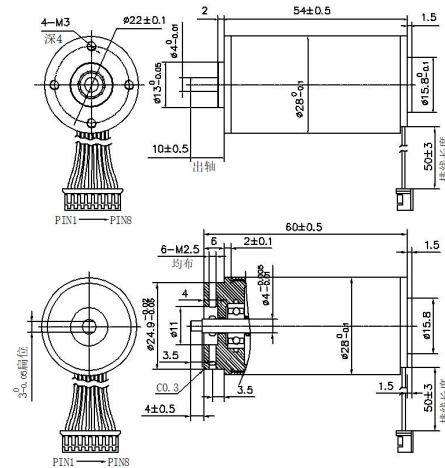


# Coreless Brushless DC Motor

LS-2854RB



电机主轴:  $\phi 4$



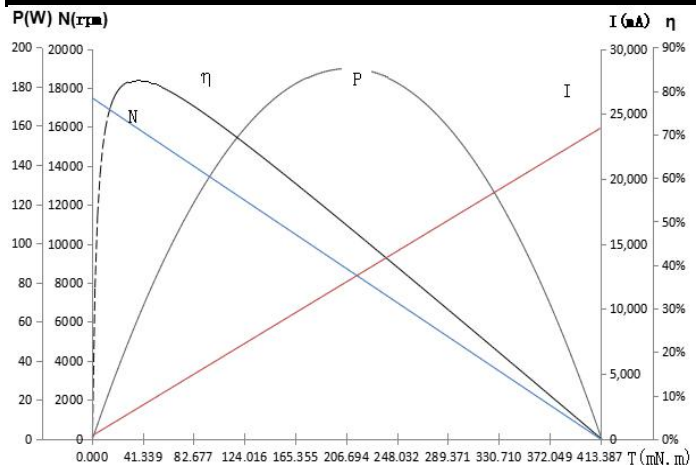
Typical Applications: RC servo. Tools. Robot. Screwdriver. Electric curtain

| 电机参数 (Motor data)                   |          | 09A   | 25A   | 18A   | 14A    | 34A   | 32A   |
|-------------------------------------|----------|-------|-------|-------|--------|-------|-------|
| 额定电压下数值 (Values at nominal voltage) |          |       |       |       |        |       |       |
| 1 额定电压 (Nominal voltage)            | V        | 12    | 24    | 30    | 30     | 30    | 32    |
| 2 空载转速 (No load speed)              | rpm      | 11800 | 15820 | 21580 | 16300  | 15520 | 17490 |
| 3 空载电流 (No load current)            | mA       | 310   | 230   | 310   | 220    | 220   | 220   |
| 4 额定转速 (Nominal speed)              | rpm      | 11320 | 14870 | 20610 | 15390  | 14660 | 16620 |
| 5 额定转矩 (最大连续转矩) (Nominal torque)    | mNm      | 11.4  | 21.7  | 21.6  | 20.1   | 20.7  | 20.9  |
| 6 额定电流 (最大连续电流) (Nominal current)   | A        | 1.47  | 1.7   | 1.9   | 1.35   | 1.33  | 1.4   |
| 7 堵转转矩 (Stall torque)               | mNm      | 281.2 | 358.8 | 519.9 | 397.78 | 372.6 | 414.3 |
| 8 堵转电流 (Stall current)              | A        | 29.3  | 25    | 39.5  | 22.7   | 20.4  | 23.9  |
| 9 最大效率 (Max efficiency)             | %        | 82    | 83    | 83    | 82     | 82    | 83    |
| 电机常数 (Motor constant)               |          |       |       |       |        |       |       |
| 10 相间电阻 (Terminal resistance)       | $\Omega$ | 0.41  | 0.96  | 0.76  | 1.31   | 1.47  | 1.34  |
| 11 转矩常数 (Torque constant)           | mNm/A    | 9.5   | 14    | 13.0  | 17.23  | 18.1  | 17.1  |
| 12 速度常数 (Speed constant)            | rpm/V    | 983   | 659   | 719   | 543    | 517   | 547   |

其他特性参数 Other characteristic parameters

- 13 环境温度范围 (Ambient temperature) -10~40 $^{\circ}$ C
  - 14 绕组最高允许温度 (Max permissible winding temperature) 120 $^{\circ}$ C
  - 15 最高允许转速 (Max permissible speed) 30000rpm
  - 16 电极磁极对数 (Number of the pole pairs) 1
  - 17 相数 (Number of Phases) 3
- 154.7g

32A电机曲线图 motor curve



端子定义 (terminals):

8\*#26PE引线 (cable)+JST端子 (terminal)

- PIN1 MC
- PIN2 MB
- PIN3 MA
- PIN4 GND-
- PIN5 HC
- PIN6 HB
- PIN7 HC
- PIN8 VCC+