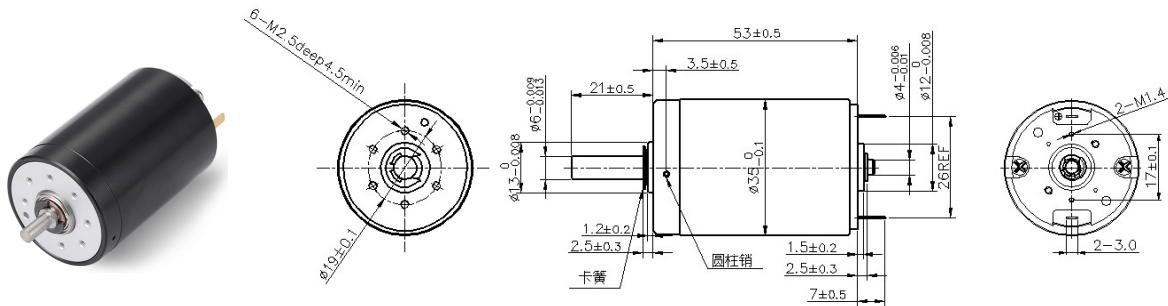




Coreless Graphite Brush Motor

LS-3553RC



Typical Applications: Meat slicer, DMS, Golf cart, Robot

电机参数 (Motor data)		02A	01A	03A		
额定电压下数值 (Values at nominal voltage)						
1 额定电压 (Nominal voltage)	V	12	24	24		
2 空载转速 (No load speed)	rpm	9000	6500	7000		
3 空载电流 (No load current)	mA	260	90	90		
4 额定转速 (Nominal speed)	rpm	8410	5680	6300		
5 额定转矩 (最大连续转矩) (Nominal torque)	mNm	22	32.5	31.4		
6 额定电流 (最大连续电流) (Nominal current)	A	1.97	1.03	1.06		
7 堵转转矩 (Stall torque)	mNm	336.2	257.2	311.4		
8 堵转电流 (Stall current)	A	26.7	7.4	9.6		
9 最大效率 (Max efficiency)	%	82	78	81		
电机常数 (Motor constant)						
10 相间电阻 (Terminal resistance)	Ω	0.45	3.25	2.5		
11 转距常数 (Torque constant)	mNm/A	12.48	34.56	32.09		
12 速度常数 (Speed constant)	rpm/V	750	271	292		

其他特性参数 Other characteristic parameters

- 13 环境温度范围 (Ambient temperature) -10~40°C
- 14 绕组最高允许温度 (Max permissible winding temperature) 80°C
- 15 最高允许转速 (Max permissible speed) 10000rpm
- 16 电极磁极对数 (Number of the pole pairs) 1
- 17 换向器片数 (Number of the commutator segments) 13
- 18 电机质量 (Weight) 217.4g

02A电机曲线图 motor curve

