



# AC Permanent Magnet Synchronous Motor

## 49TYD-1

### Featurers:

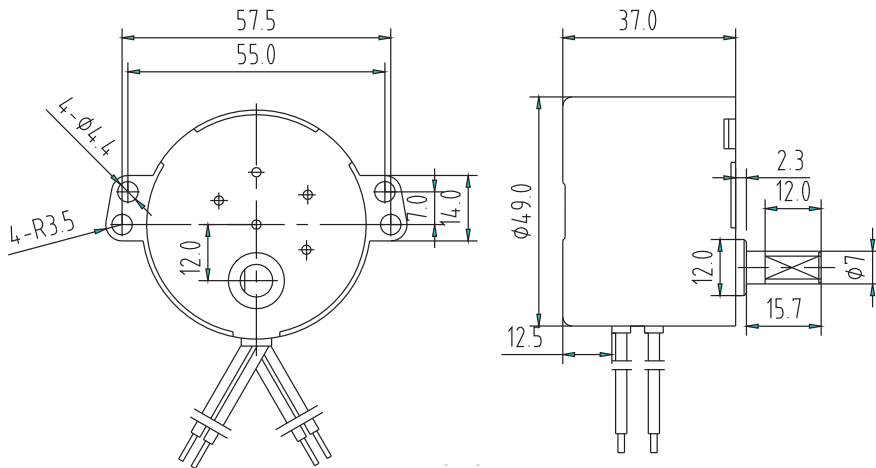
- Gear box inside designed
- High torque and efficiency with low noise,light weight
- Speed state invariable not effected by voltage under rated frequency
- Winding will not ruin when motor over loading or abrupt stop running



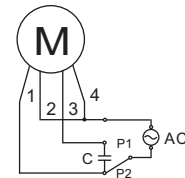
### Applications:

Electric equipment,HVAC System,CATV System

### Mechnical Dimensons



### Wire connecting



wire	24V	110V	220V
1	Red	Yellow	Black
2	Black	Red	Yellow
3	Yellow	Black	Red
4	Black	Red	Yellow

- Above are basic wire colors, customization also welcome.

### Electrical Specification

#### Spcification

ITEM	参数		
Rated Voltage (V)	24	110	220
Rated Frequency (Hz)	50/60		
Input Power (W)	2.5-7		
Input Current (A)	<0.2	<0.05	<0.023
Output Power (W)	1.2		
Noise (db)	<45		
Rotate direction	CW / CCW / Bi-directional		

#### Safety

ITEM	DATA
Insulation resistance	DC500V 100M Ohms
Insulation str.	AC1500V 50Hz/min(220V motor)
Insulation class	E(105 C)/B(130 C)
Environment	Temp:-10 C~+40 C / Humidity:<85
Protection	Impedance
Certification	RoHS CE CCC

#### Speed&Torque

Speed (RPM)	Working style	1.04	1.5	2	2.5	4	4.8	5	5.8	9	15	25	30	45	60	75
Torque (kgf.cm / lb-in)	S1 continuous	45/39	30/26	22/19	18/15.7	11/9.6	9.4/8.2	9/7.8	7.6/6.6	5/4.35	3/2.6	1.8/1.57	1.5/1.3	1/0.87	0.75	0.6
	S2 15 minutes	60/52.2	40/34.8	30/26	24/20.9	15/13	12.5/10.9	12/10.4	10/8.7	6.5/5.7	4/3.5	2.4/2.1	2/1.74	1.3/1.13	1/0.87	0.8/0.7
	S2 5 minutes	70/60.9	46/40	35/30.5	28/24.4	17.5/15.2	14.5/12.6	14/12.2	12/10.4	7.8/6.8	4.6/4	2.8/2.43	2.3/2	1.5/1.3	1.2/1.04	1.0/0.87

- Above datas are from motors under 50Hz. If under 60Hz, SpeedX1.2, Torque /1.2
- Other speed and torque needed, please contact our sales department