



AC Permanent Magnet Synchronous Motor

64TYD-1

Features:

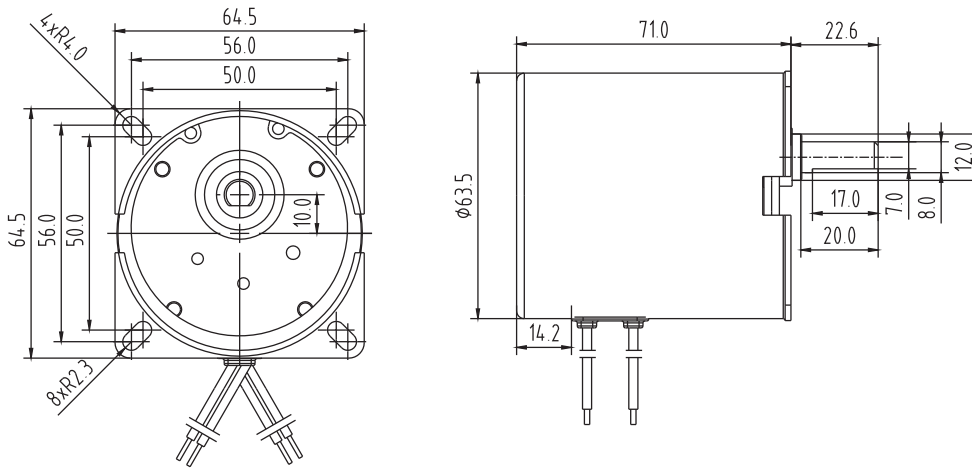
- Gear box inside designed
- High torque and efficiency with low noise, light weight
- Speed state invariable not effected by voltage under rated frequency
- Winding will not ruin when motor over loading or abrupt stop running

Applications:

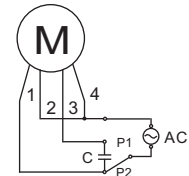
Electric equipment, HVAC System, CATV System



Mechanical Dimensions



Wire connecting



wire	24V	110V	220V
1	Red	Yellow	Black
2	Black	Red	Yellow
3	Yellow	Black	Red
4	Black	Red	Yellow

- Above are basic wire colors. customization also welcome.

Electrical Specification

Specification

ITEM	DATA		
Rated Voltage (V)	24	110	220
Rated Frequency (Hz)	50/60		
Input Power (W)	<20		
Input Current (A)	<0.9	<0.2	<0.1
Output Power (W)	5-6		
Noise (db)	<45		
Rotate direction	CW / CCW / Bi-directional		

Safety

ITEM	DATA
Insulation resistance	DC500V 100M Ohms
Insulation str.	AC1500V 50Hz/min(220V motor)
Insulation class	E(105 C)/B(130 C)
Environment	Temp:-10 C~+40 C / Humidity:<85%
Protection	Impedance
Certification	RoHS CE CCC

Speed&Torque

Speed(RPM)	Working style	15	20	25	30	40	50	60	70	80	99	152
Torque (kgf.cm / lb-in)	S1 continuous	30 / 26.1	22 / 19.1	18 / 15.7	15 / 13	11.5 / 10	9 / 7.8	7.5 / 6.5	6.4 / 5.6	5.6 / 4.9	4.5 / 3.9	3 / 2.6
	S2 15 minutes	40 / 34.8	30 / 26.1	24 / 20.9	20 / 17.4	15 / 13	12 / 10.4	10 / 8.7	8.6 / 7.5	7.5 / 6.5	6 / 5.2	4 / 3.5
	S2 5 minutes	60 / 52.2	45 / 39.2	36 / 31.3	30 / 26.1	22.5 / 19.8	18 / 15.7	15 / 13	12.8 / 11.1	11 / 9.6	9 / 7.8	6 / 5.2

- Above datas are from motors under 50Hz. If under 60Hz, SpeedX1.2, Torque / 1.2
- Other speed and torque needed, please contact our sales department