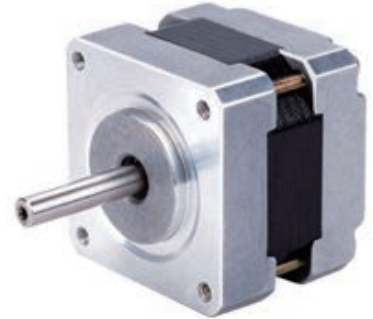




Hybrid Stepper Motor

16HM (39mm) Series, 0.9 deg/step

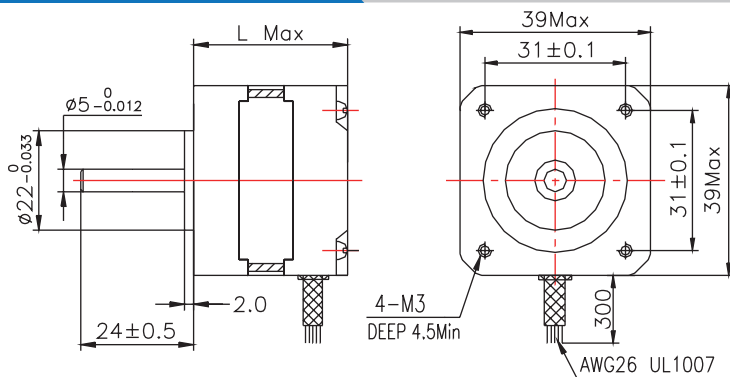


Electrical Specification

| Model | Step Angle (°) | Motor Length (mm) | Rated Current(A) | Phase Resistance(Ω) | Phase Inductance(mH) | Holding Torque (N.cmMin) | Detent Torque (N.cmMax) | Rotor Inertia (g.cm²) | Lead Wire (No.) | Motor Weight(g) |
|----------|----------------|-------------------|------------------|---------------------|----------------------|--------------------------|-------------------------|-----------------------|-----------------|-----------------|
| 16HM0401 | 0.9 | 20 | 0.42 | 20 | 16 | 8 | 0.5 | 15 | 4 | 100 |
| 16HM2410 | 0.9 | 26 | 0.6 | 9 | 16 | 14 | 0.8 | 18 | 4 | 120 |
| 16HM3401 | 0.9 | 34 | 0.6 | 9 | 15 | 16 | 1.1 | 23 | 4 | 160 |
| 16HM3402 | 0.9 | 34 | 1.2 | 2.5 | 3.6 | 16 | 1.1 | 23 | 4 | 160 |
| 16HM3630 | 0.9 | 34 | 0.4 | 30 | 16 | 12 | 1.1 | 23 | 6 | 160 |
| 16HM4401 | 0.9 | 40 | 0.6 | 12 | 20 | 22 | 1.4 | 30 | 4 | 210 |
| 16HM4402 | 0.9 | 40 | 1.2 | 3.2 | 5.5 | 22 | 1.4 | 30 | 4 | 210 |
| 16HM4630 | 0.9 | 40 | 0.4 | 30 | 26 | 18 | 1.4 | 30 | 6 | 210 |

* Note: It's only typical technical data, special requirement can be customized.

Mechanical Dimensions



Description:

| Model | Motor Length |
|----------|--------------|
| 16HM0xxx | 20mm |
| 16HM2xxx | 26mm |
| 16HM3xxx | 34mm |
| 16HM4xxx | 40mm |

Wiring Diagram

