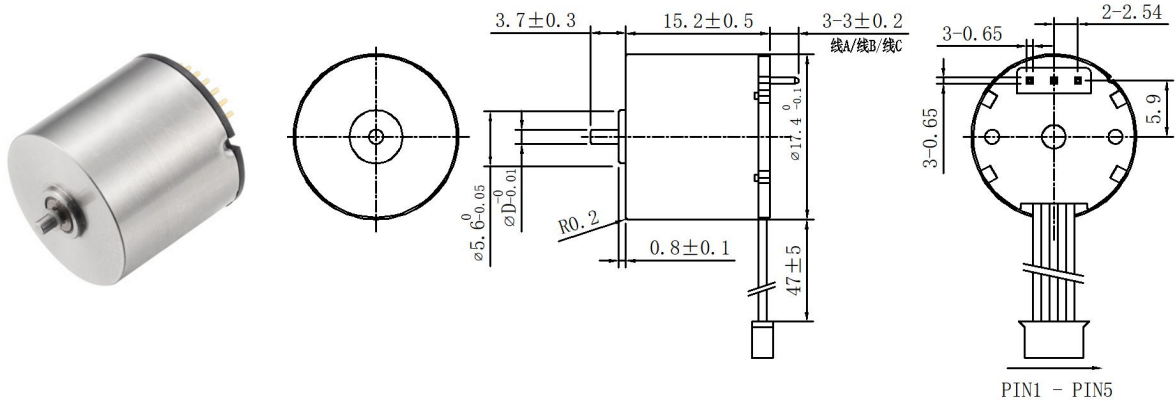




Coreless Brushless DC Motor

LS-1715RB



轴径 ϕD : 1.2、1.5mm 可选

Typical Applications: Robot. RC servo. Aircraft model

电机参数 (Motor data)		01A	04A	16B		
额定电压下数值 (Values at nominal voltage)						
1 额定电压 (Nominal voltage)	V	6	6	6		
2 空载转速 (No load speed)	rpm	33620	28670	37500		
3 空载电流 (No load current)	mA	250	200	300		
4 额定转速 (Nominal speed)	rpm	29200	24700	33350		
5 额定转矩(最大连续转矩) (Nominal torque)	mNm	1	1	1.2		
6 额定电流(最大连续电流) (Nominal current)	A	0.82	0.7	1		
7 堵转转矩 (Stall torque)	mNm	8.02	7.09	10.8		
8 堵转电流 (Stall current)	A	4.94	3.8	7.4		
9 最大效率 (Max efficiency)	%	66	64	69		
电机常数 (Motor constant)						
10 相间电阻 (Terminal resistance)	Ω	1.21	1.6	0.81		
11 转矩常数 (Torque constant)	mNm/A	1.67	1.96	1.5		
12 速度常数 (Speed constant)	rpm/V	5603	4778	6250		

其他特性参数 Other characteristic parameters

- 13 环境温度范围 (Ambient temperature) -10~40°C
 - 14 绕组最高允许温度 (Max permissible winding temperature) 120°C
 - 15 最高允许转速 (Max permissible speed) 35000rpm
 - 16 电极磁极对数 (Number of the pole pairs) 1
 - 17 相数 3
- 16.5g

端子定义 (terminals):
 引线规格 (cable type): 2651/28#
 PIN1 VCC
 PIN2 GND
 PIN3 Hall A
 PIN4 Hall B
 PIN5 Hall C

01A电机曲线图 motor curve

