



Hybrid Stepper Motor

17HM (42mm) Series, 0.9 deg/step

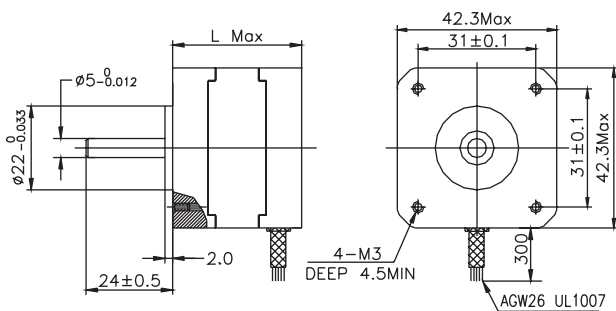


Electrical Specification

Model	Step Angle (°)	Motor Length (mm)	Rated Current(A)	Phase Resistance(Ω)	Phase Inductance(mH)	Holding Torque (N.cmMin)	Detent Torque (N.cmMax)	Rotor Inertia (g.cm ²)	Lead Wire (No.)	Motor Weight(g)
17HM0403	0.9	21	0.3	25	36	8	1.2	24	4	120
17HM2408	0.9	28	0.6	9	9	10	0.9	20	4	130
17HM3401	0.9	34	1.3	2.4	3.6	24	1.2	34	4	220
17HM3410	0.9	34	1.7	1.2	2.2	24	1.2	34	4	220
17HM3430	0.9	34	0.4	30	45	24	1.2	34	4	220
17HM3630	0.9	34	0.4	30	22	20	1.2	34	6	220
17HM3616	0.9	34	0.16	75	54	12	1.2	34	6	220
17HM4401	0.9	40	1.7	1.5	3.8	36	1.8	54	4	280
17HM4402	0.9	40	1.3	2.5	6.2	36	1.8	54	4	280
17HM4602	0.9	40	1.2	3.2	3.8	26	1.8	54	6	280
17HM4630	0.9	40	0.4	30	34	26	1.8	54	6	280
17HM8401	0.9	48	1.7	1.8	4.0	42	2.2	68	4	350
17HM8402	0.9	48	1.3	3.0	7.0	36	2.2	68	4	350
17HM8403	0.9	48	2.3	1.2	2.0	42	2.2	68	4	350

* Note: It's only typical technical data, special requirement can be customized.

Mechanical Dimensions



Description:

Model	Motor Length
17HM2xxx	28mm
17HM3xxx	34mm
17HM4xxx	40mm
17HM8xxx	48mm
17HM9xxx	58mm
17HM6xxx	63mm

Wiring Diagram

