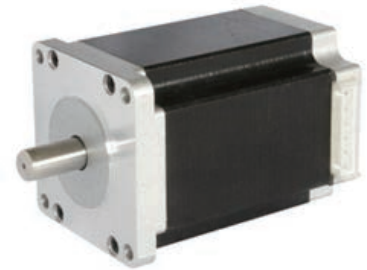




Hybrid Stepper Motor

24HS (60mm) Series, 1.8 deg/step

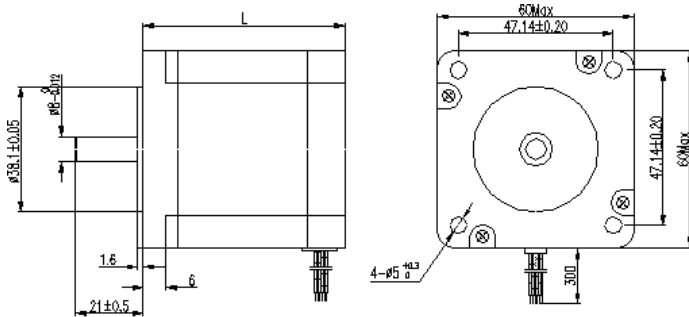


Electrical Specification

Model	Step Angle (°)	Motor Length (mm)	Rated Current(A)	Phase Resistance(Ω)	Phase Inductance(mH)	Holding Torque (N.cmMin)	Detent Torque (N.cmMax)	Rotor Inertia (g.cm ²)	Lead Wire (No.)	Motor Weight(g)
24HS0408	1.8	41	2.0	1.2	2.5	75	3.0	180	4	500
24HS4425	1.8	45	2.5	1.0	2.2	85	3.5	200	4	550
24HS5425	1.8	51	2.5	1.2	3.2	140	4.0	250	4	580
24HS6425	1.8	56	2.5	1.3	4.2	160	4.0	350	4	580
24HS6530	1.8	56	3.0	0.8	2.4	160	4.0	350	4	580
24HS6404	1.8	56	4.2	0.4	1.2	160	4.0	350	4	580
24HS7425	1.8	64	2.5	1.5	4.5	180	5.0	450	4	850
24HS7430	1.8	64	3.0	0.8	2.3	180	5.0	450	4	850
24HS7404	1.8	64	4.2	0.55	1.2	180	5.0	450	4	850
24HS8425	1.8	76	2.5	1.8	6.5	220	7.0	550	4	1150
24HS8430	1.8	76	3.0	1.0	3.5	220	7.0	550	4	1150
24HS8404	1.8	76	4.2	0.6	1.8	220	7.2	550	4	1150
24HS1430	1.8	90	3.0	1.4	5.5	260	12	780	4	1400
24HS1404	1.8	90	4.2	0.5	3.0	260	12	780	4	1400

* Note: It's only typical technical data, special requirement can be customized.

Mechanical Dimensions



Description:

Model	Motor Length
24HS0xxx	41mm
24HS4xxx	45mm
24HS5xxx	51mm
24HS6xxx	56mm
24HS7xxx	64mm
24HS8xxx	76mm
24HS1xxx	90mm

Wiring Diagram

