



DC Brushless Motor BL2418

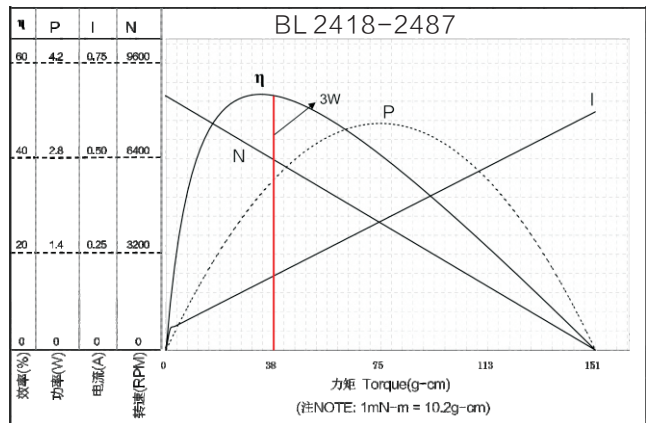
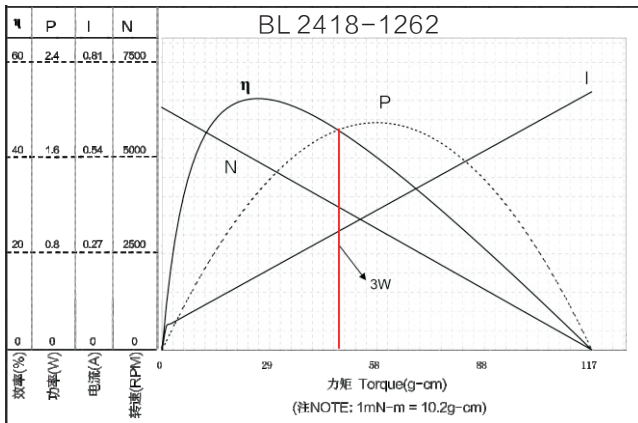
General Specifications

Connection Mode A	
Clockwise Rotation/Counter Clockwise Rotation	
FG Signal	
PWM Control	
Locked Rotor Protection	
Power	3W(Internal Drive) /
Life Expectancy	~3000H(Oil Bearing) /



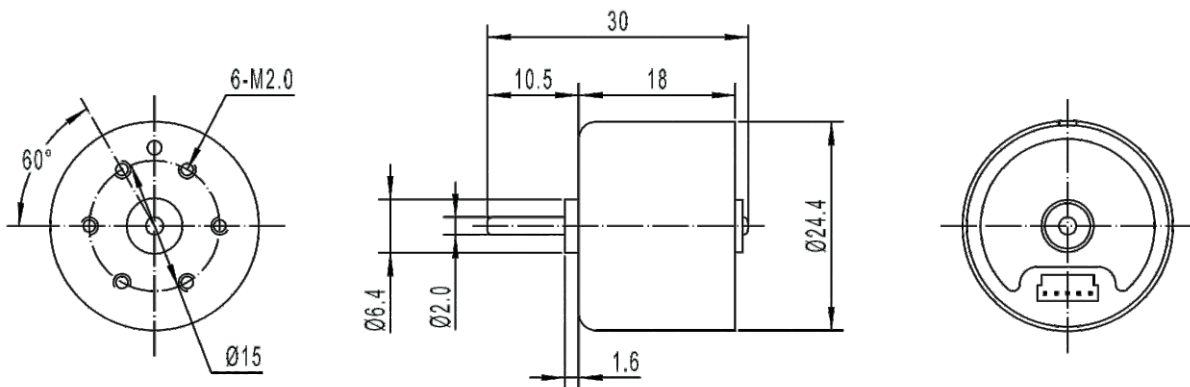
Electrical specifications

电机型号 Motor model	额定电压 Rated voltage	无负荷No-load		额定 Rated				堵转 Stall	
		转速 Speed	电流 Current	转速 Speed	力矩 Torque	电流 Current	功率 Power	力矩 Torque	电流 Current
	VDC	r/min	mA	r/min	g.cm	mA	W	g.cm	A
BL 2418-1262	12.0	6200	60	5100	20	180	1.05	110	0.7
BL 2418-2487	24.0	8700	50	7500	20	130	1.54	145	0.7



备注：红线左侧为电机可以连续工作区域NOTE: the left side of red line area can continuous work

Mechanical dimensions



Weight: 30g(Approx)

Unit(mm)